



Network Rollout (Short Version)

Michael Enrico, DANTE

TF-NGN-20

Cambridge



What does *Rollout* mean?

Connect. Communicate. Collaborate

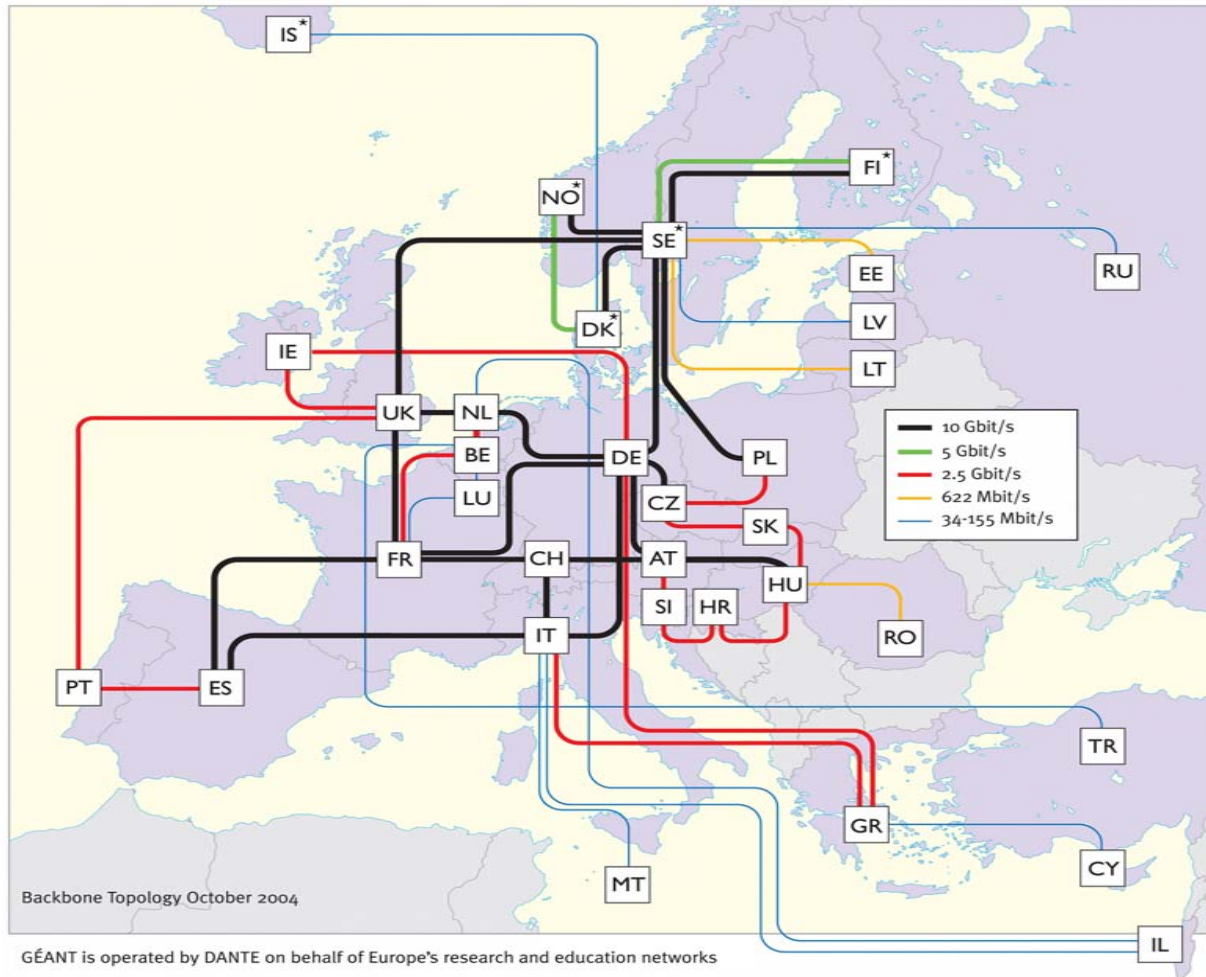
Build a new network

- Using new and existing resources
- Keeping communications between Research Organizations unaffected at all times.

From GÉANT ...



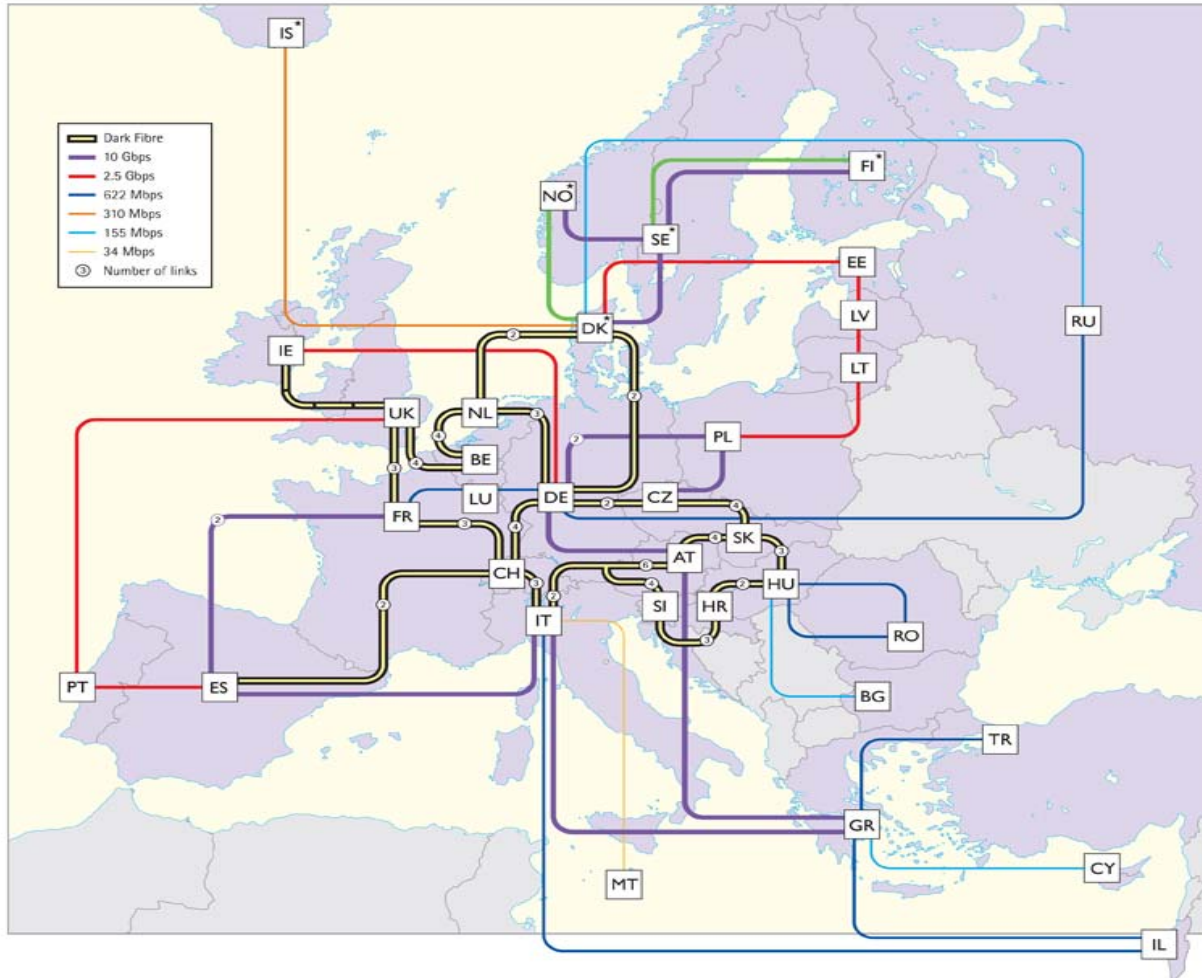
Connect. Communicate. Collaborate



... to GÉANT2



Connect. Communicate. Collaborate





Connect. Communicate. Collaborate

From → To

- From 0km of dark fibre → To ~12,000km of dark fiber
- From 22 sites
[main PoPs stations] → To 200 sites
[including amplifier sites]
- From ~100 systems → To ~400 systems to manage
- From less than 40
E2E services → To hundreds of them
[including optical e2e paths]



Connect. Communicate. Collaborate

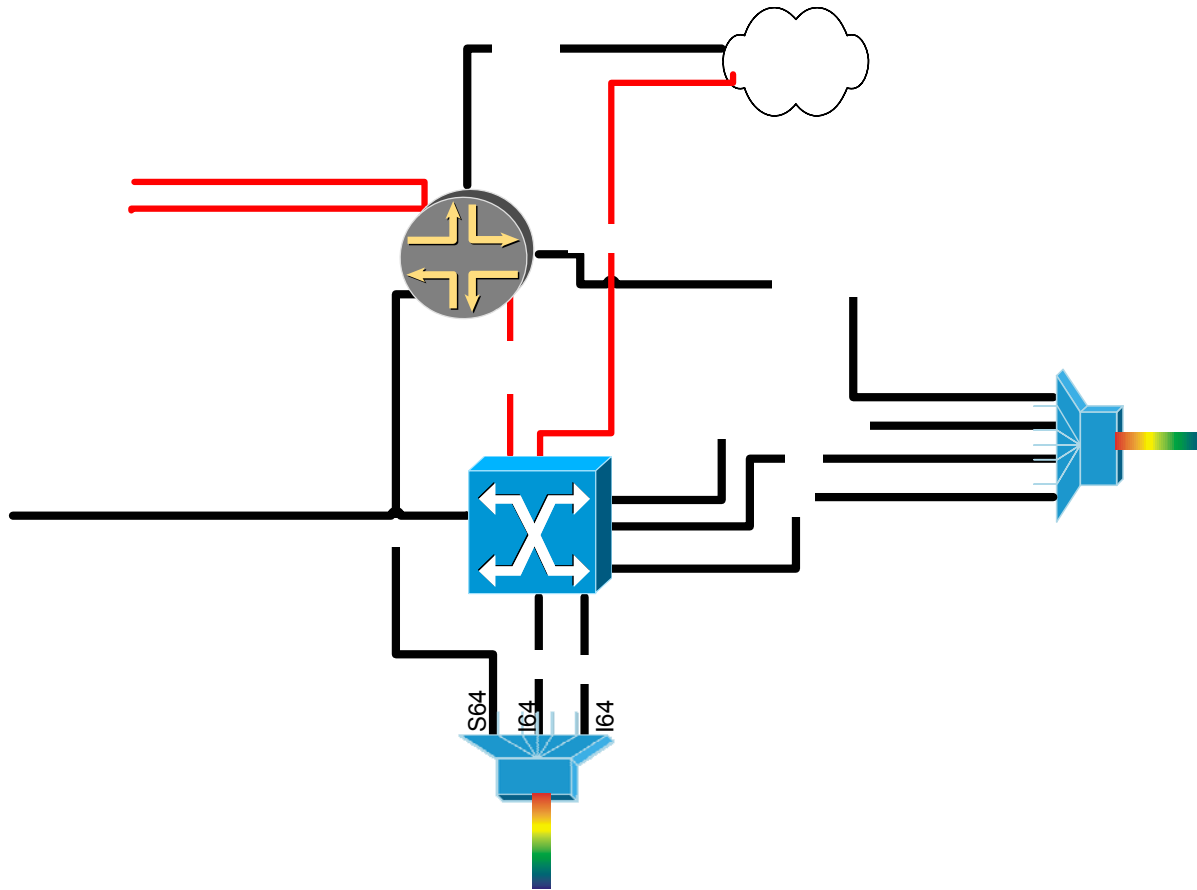
Network Implementation





Typical GÉANT2 PoP

Connect. Communicate. Collaborate





Connect. Communicate. Collaborate

Implementing new routes I

- Prepare GN2 sites
 - 11 out of 18 main sites currently containing IP equipment need to be moved to a different location (~60 chassis to be moved)
 - ~200 sites need to be setup
 - Need to provide equipment suite
 - Includes power, out of band access, etc.
- Install optical equipment
- Connect dark fibre
- Verify dark fibre and optical equipment functionalities



Connect. Communicate. Collaborate

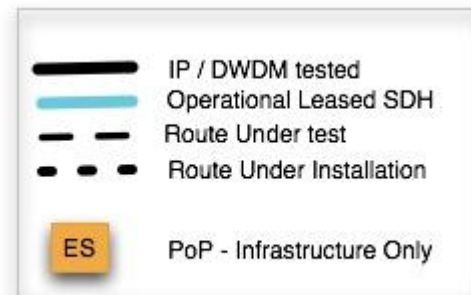
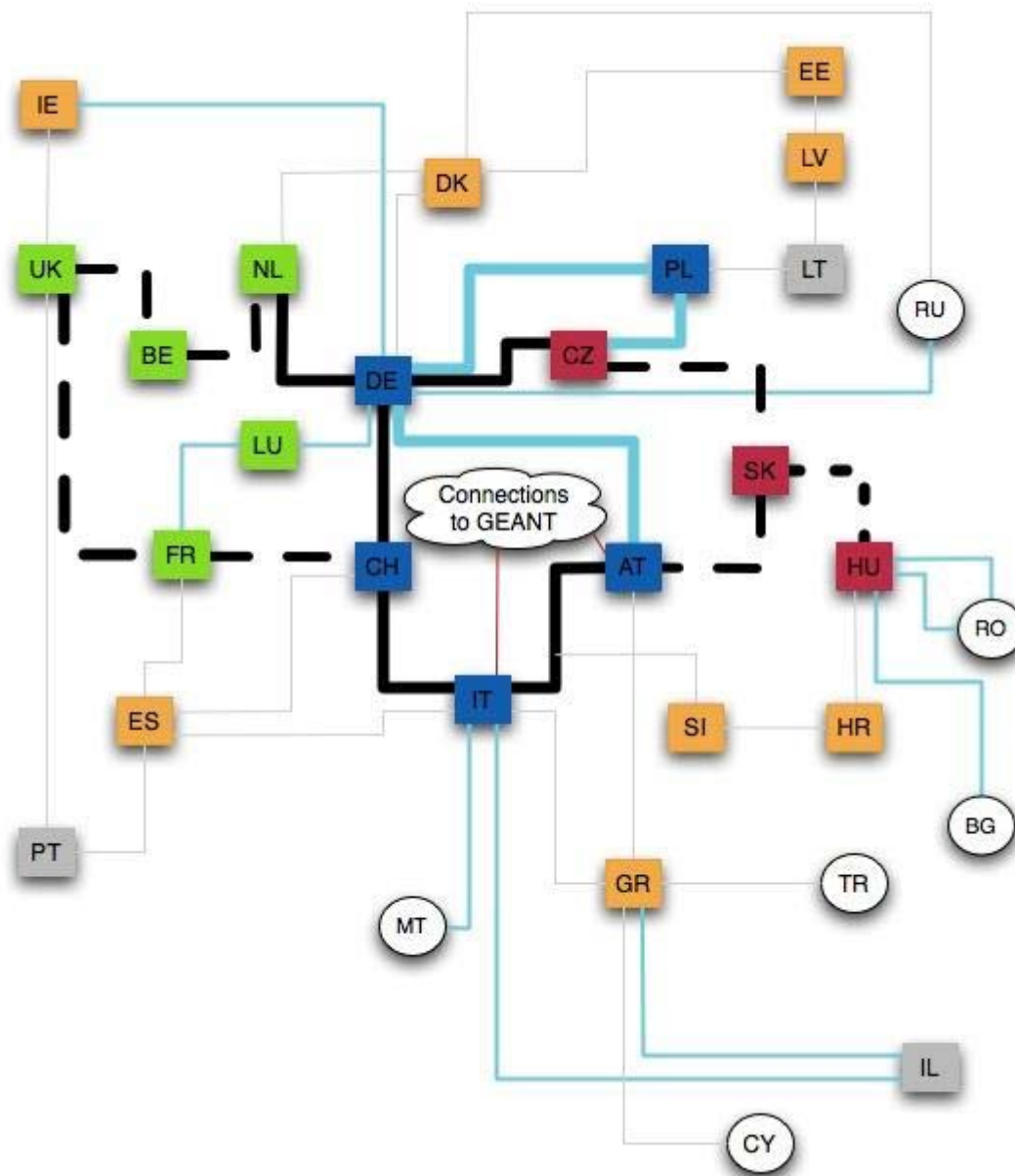
Implement new routes II

- TOTAL:
 - Connect 18 dark fibre routes and 25 leased circuits
 - Setup 200 [PoPs, Amplifiers, Regeneration] sites
 - Initial installation of 400 systems
 - Many tests before having the network operational

Implementation Status



Connect. Communicate. Collaborate





Connect. Communicate. Collaborate

Questions?

