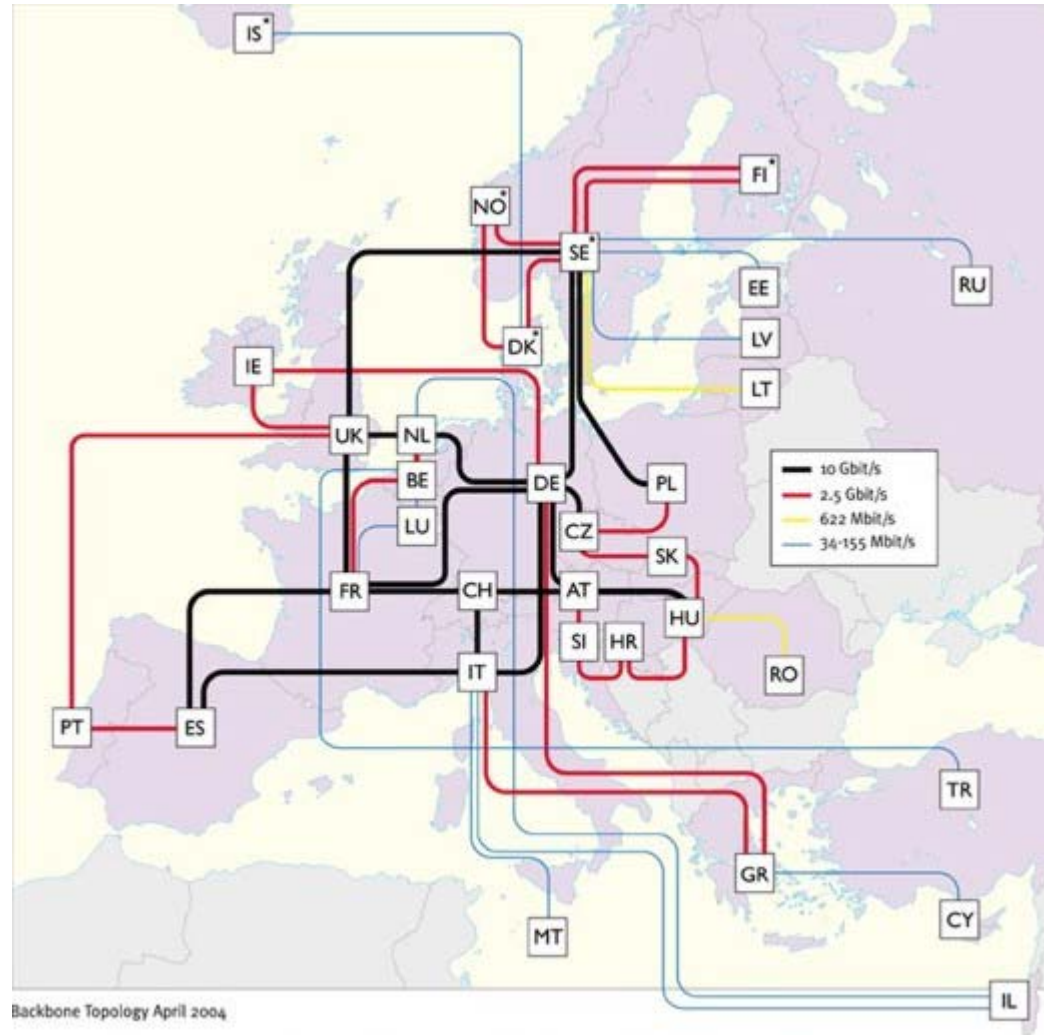


# **GN2 Architecture Discussion**

**Michael Enrico**  
**DANTE**

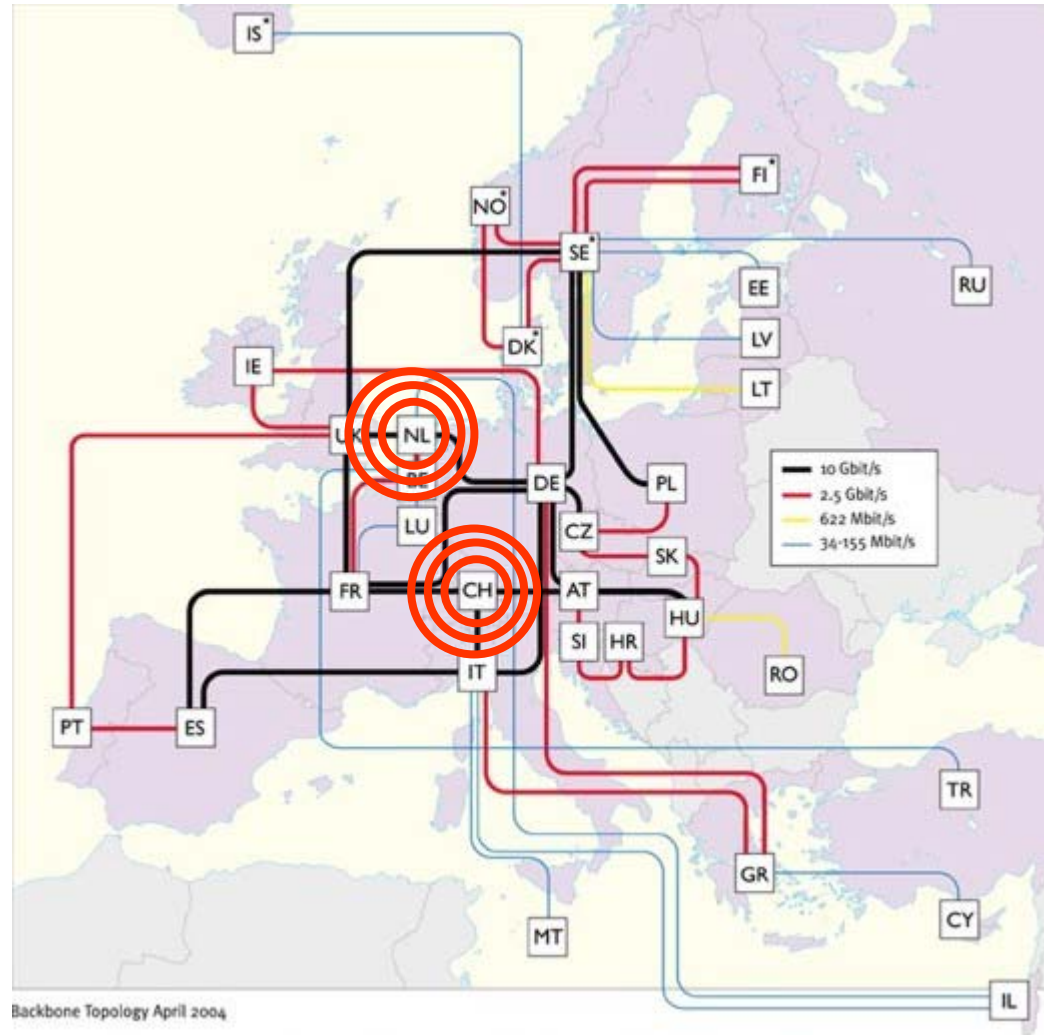
# GEANT Today



# Trends

- Regular production IP increasing
- Big users getting ready:
  - HEP
  - Radio astronomers (eVLBI)
  - GRID users (EGEE, etc...)
- Requests for pt-to-pt gigabit services increasing in frequency

# Identify Hotspots

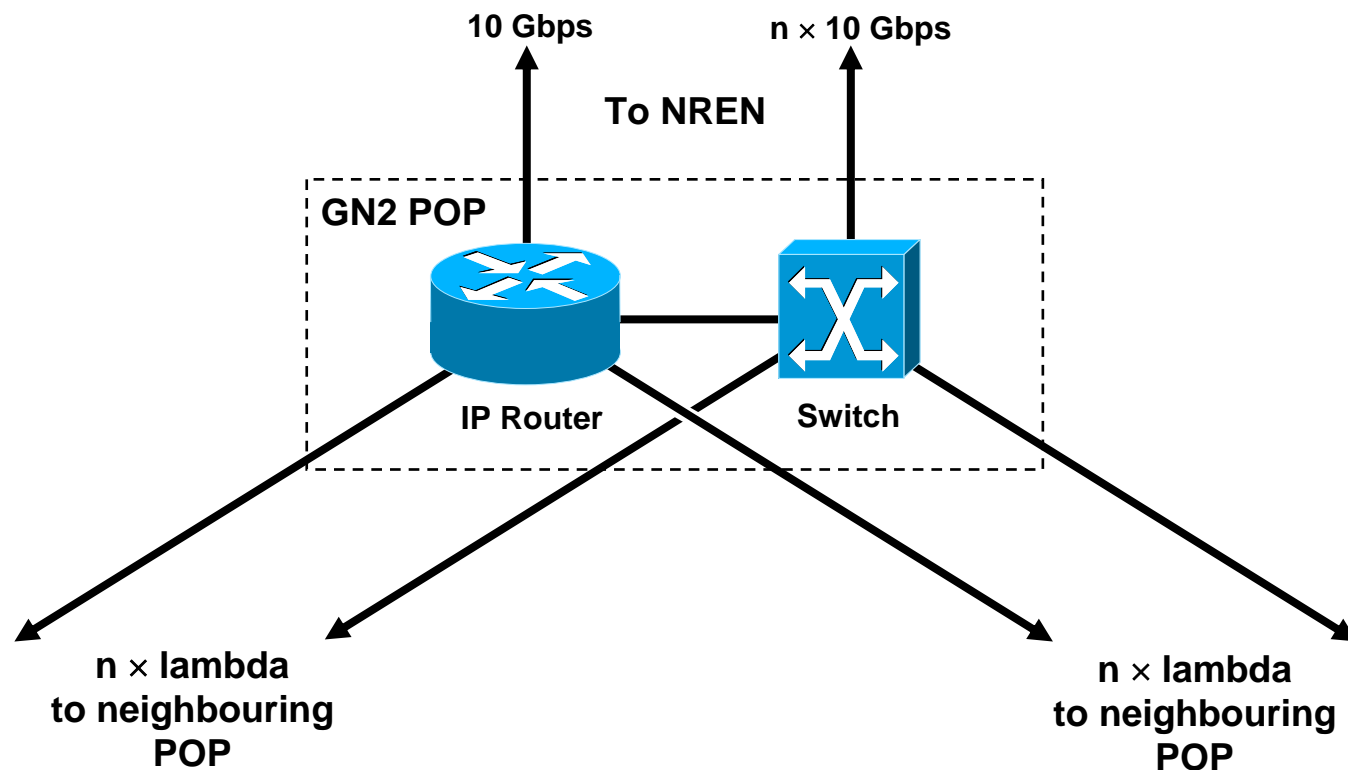


# Assessing Requirements

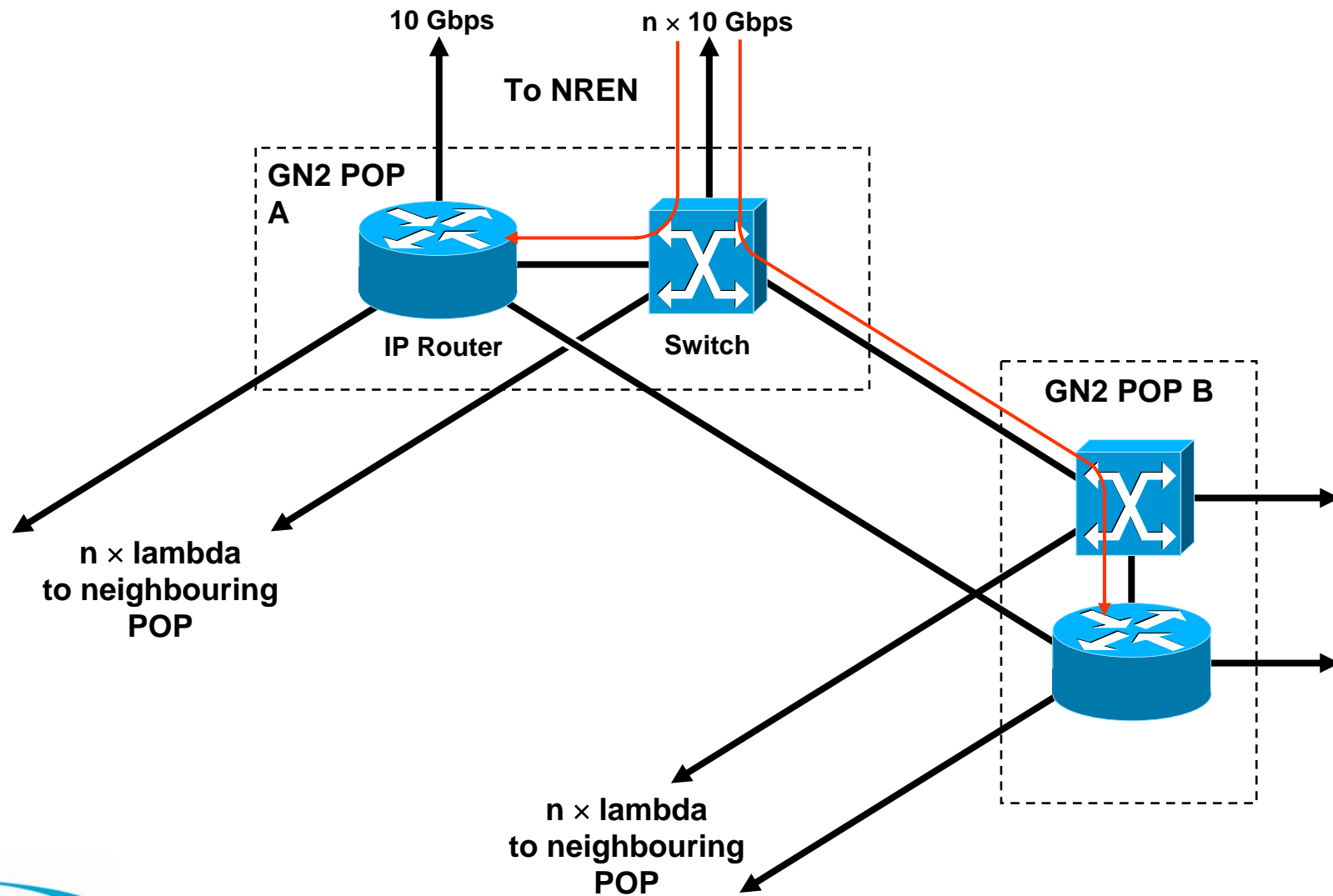
Ignore numbers:  
these are just  
for illustration!  
NRENs will be  
asked to help  
populate a table  
like this during  
the coming  
weeks.

	IP Access Gbps	CERN	DEISA	GRIDs	VLBI	other	total
	topology type	star	mesh	mesh	star		
	source	GEN			AMS		
<b>NREN</b>							
ACONET	2.5	1		1		1	3
ARNES	10	1		1		1	3
BELNET	10	1		1		1	3
CARNet	10	1		1		1	3
CESNET	10	1		1		1	3
CYNET	0.622						0
DFN Verein	10	1	2	1	1	1	6
EENet	2.5					1	1
FCCN	10	1		1		1	3
GARR	10	1	1	1	2	1	6
GRNET	10	1		1		1	3
HEAnet	10	1		1		1	3
<b>etc...</b>							
SURFNet	10	1	1	1	1	1	5
SWITCH	10	1	1	1		1	4
UKERNA	10	1	1	1	1	1	5
ULAKBIM	2.5						0
UoM	0.622						0
<b>USA+Canada</b>	30	5		1	1	1	8
<b>Latin America</b>	2.5						0
<b>Asia</b>	10	4		1	1	1	7
<b>TOTAL</b>	171.244	22	6	15	7	16	66

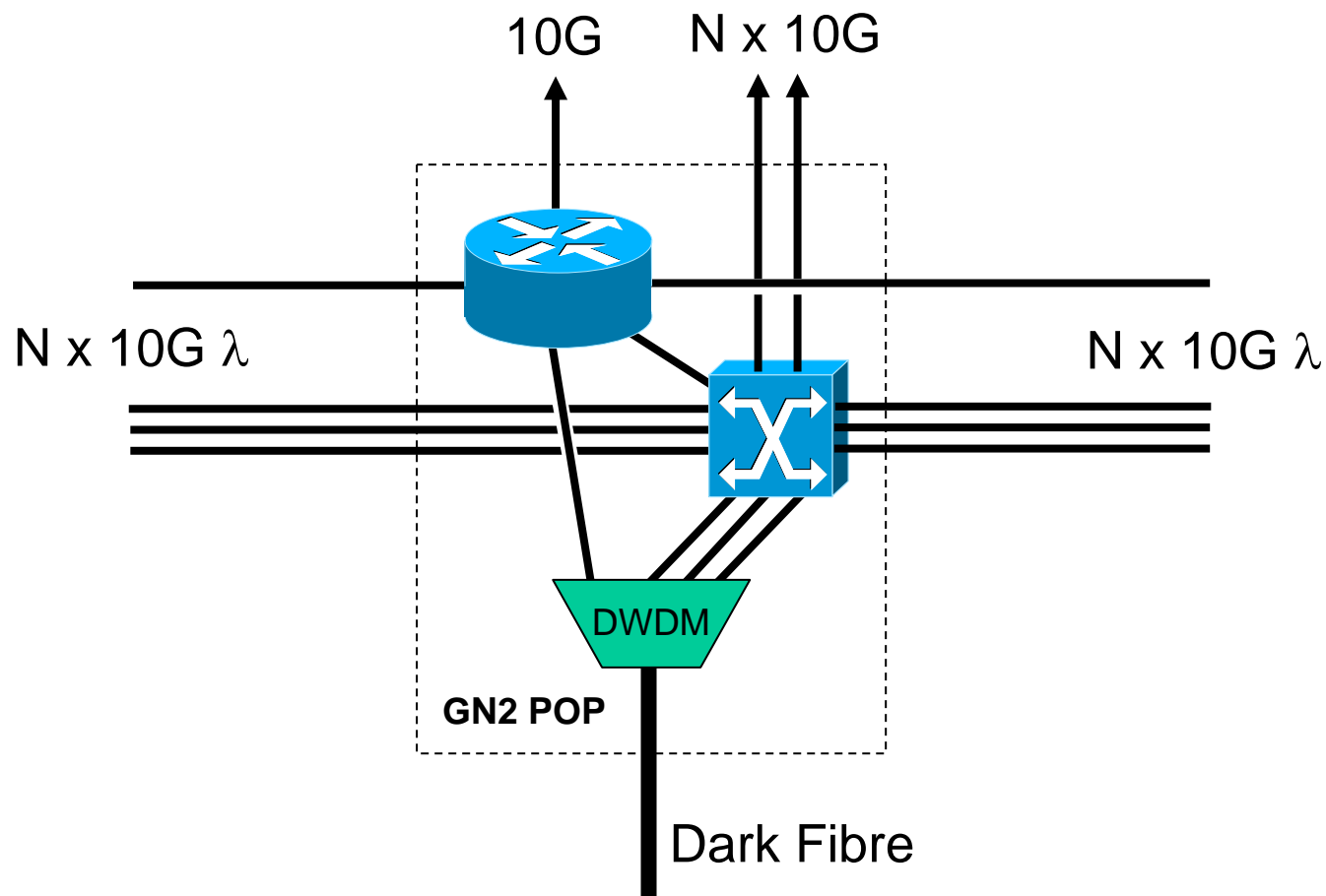
# Architecture #1



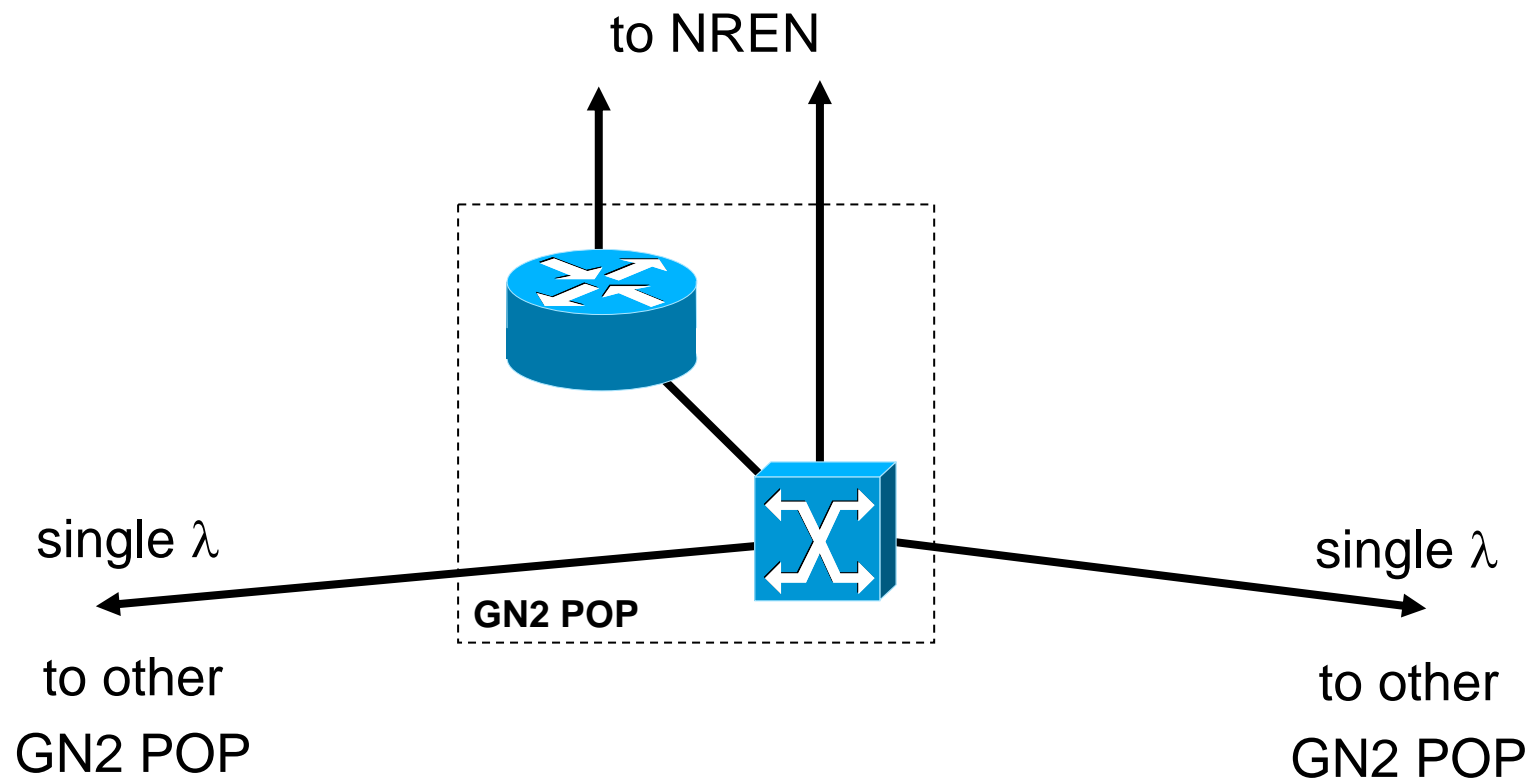
# Architecture #2



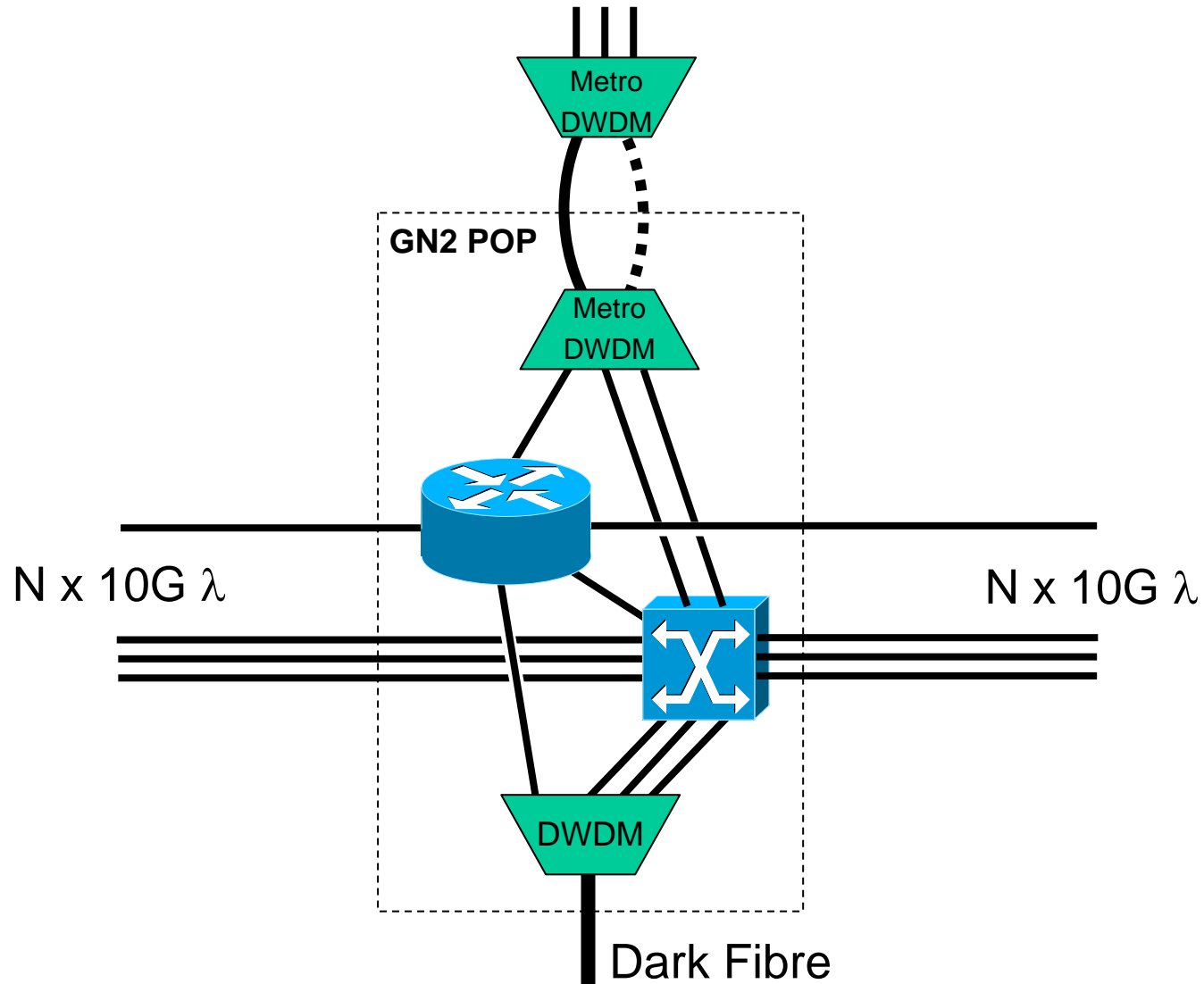
# Hybrid (Core) Node?



# Hybrid (Edge) Node



# Link(s) to NREN



**Questions?**

**&**

**over to you...!!!**