

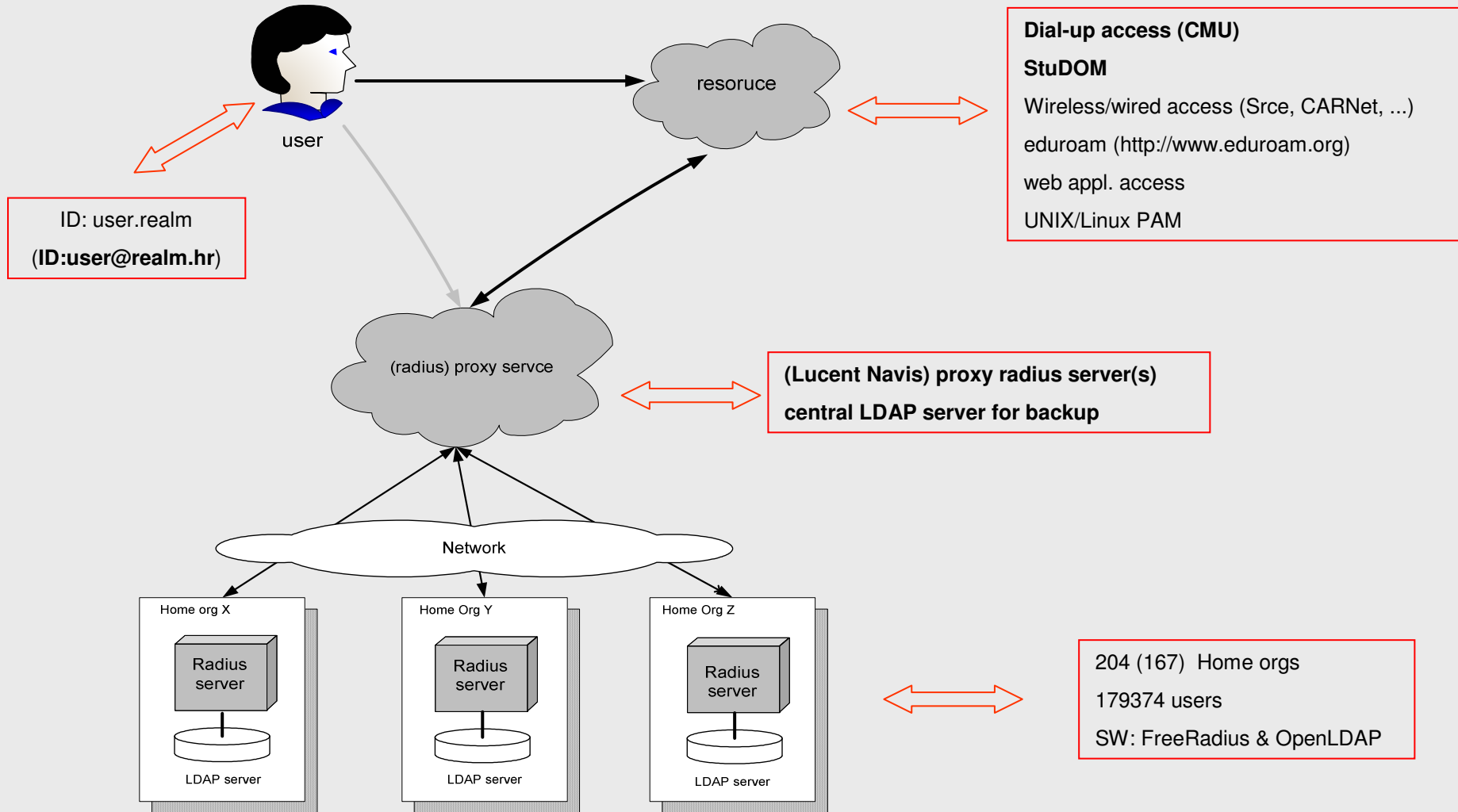
Identity management (and beyond) in AAI@EduHr

Miroslav Milinovic, Srce

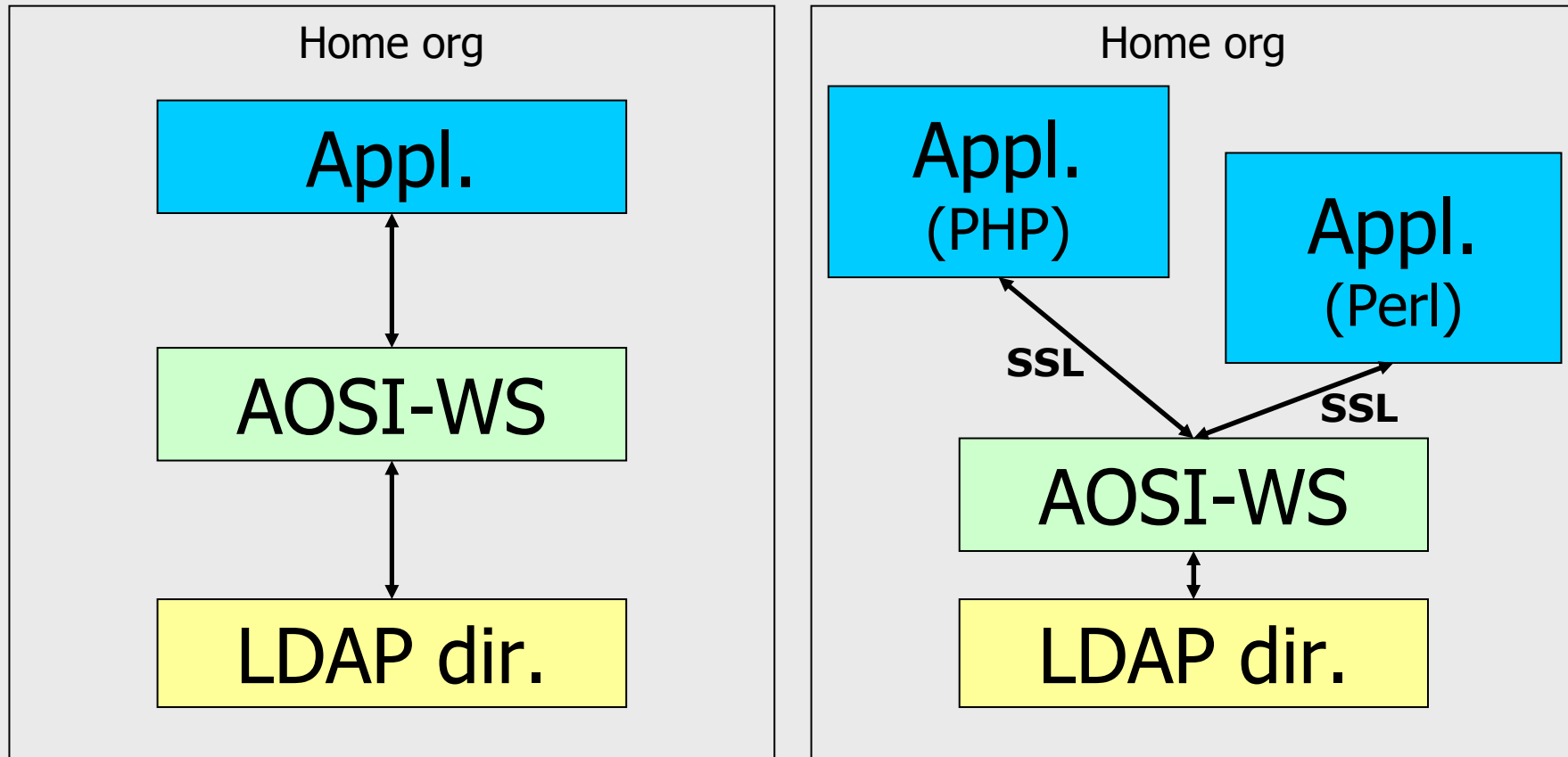
*TF-EMC2,
Poznan, Poland
June 2005*



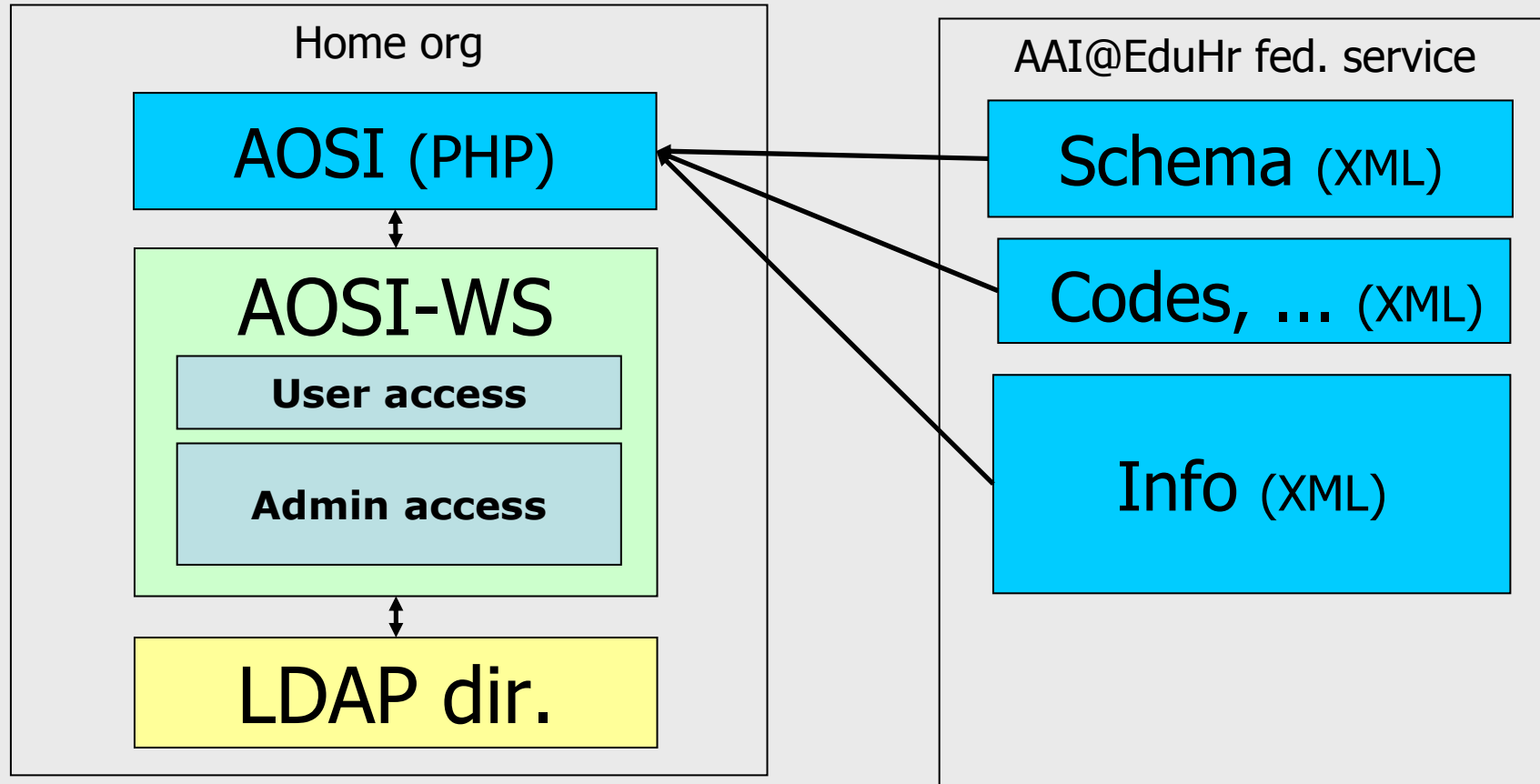
Current status



IdM concept



AOSI system



Admin. functions

- ❖ `IdapSearch(user, password, base, filter, attribute)`
- ❖ `IdapList(user, password, base, filter, attribute, from, size)`
- ❖ `IdapBinSearch(user, password, base, filter, attribute, md5)`
- ❖ `IdapBind(user, password, base)`
- ❖ `IdapUserExists(user, password, base, uid)`
- ❖ `IdapAddUser(user, password, base, xml)`
- ❖ `IdapDeleteUser(user, password, base, dn)`
- ❖ `IdapAddAttribute(user, password, base, xml)`
- ❖ `IdapDeleteAttribute(user, password, base, xml)`
- ❖ `IdapModifyAttribute(user, password, base, xml)`

User functions

- ❖ `userSearch(user, password, base, filter, attribute)`
- ❖ `userBinSearch(user, password, base, filter, attribute, md5)`
- ❖ `userAddAttribute(user, password, base, xml)`
- ❖ `userDeleteAttribute(user, password, base, xml)`
- ❖ `userModifyAttribute(user, password, base, xml)`

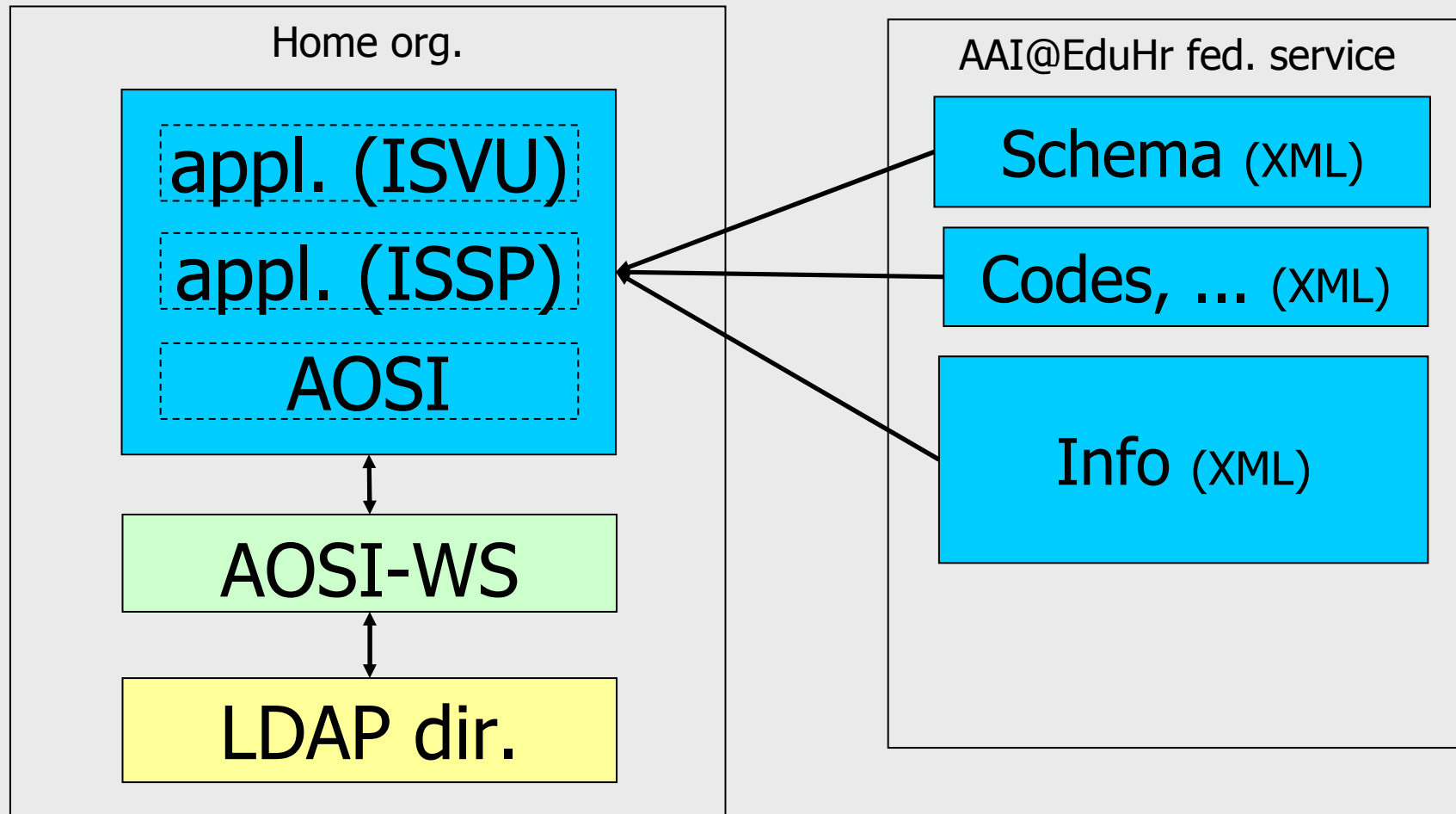
Data format

```
<?xml version="1.0" encoding="UTF-8"?>
<!ELEMENT ldap (entry)*>
<!ELEMENT entry (attribute)*>
<!ATTLIST entry
  dn CDATA #REQUIRED
  num CDATA #IMPLIED
>
<!ELEMENT attribute (singlevalue|multivalue)*>
<!ATTLIST attribute
  ldapname CDATA #REQUIRED
>
<!ELEMENT singlevalue (#PCDATA)>
<!ELEMENT multivalue (value)+>
<!ELEMENT value (#PCDATA)>
```

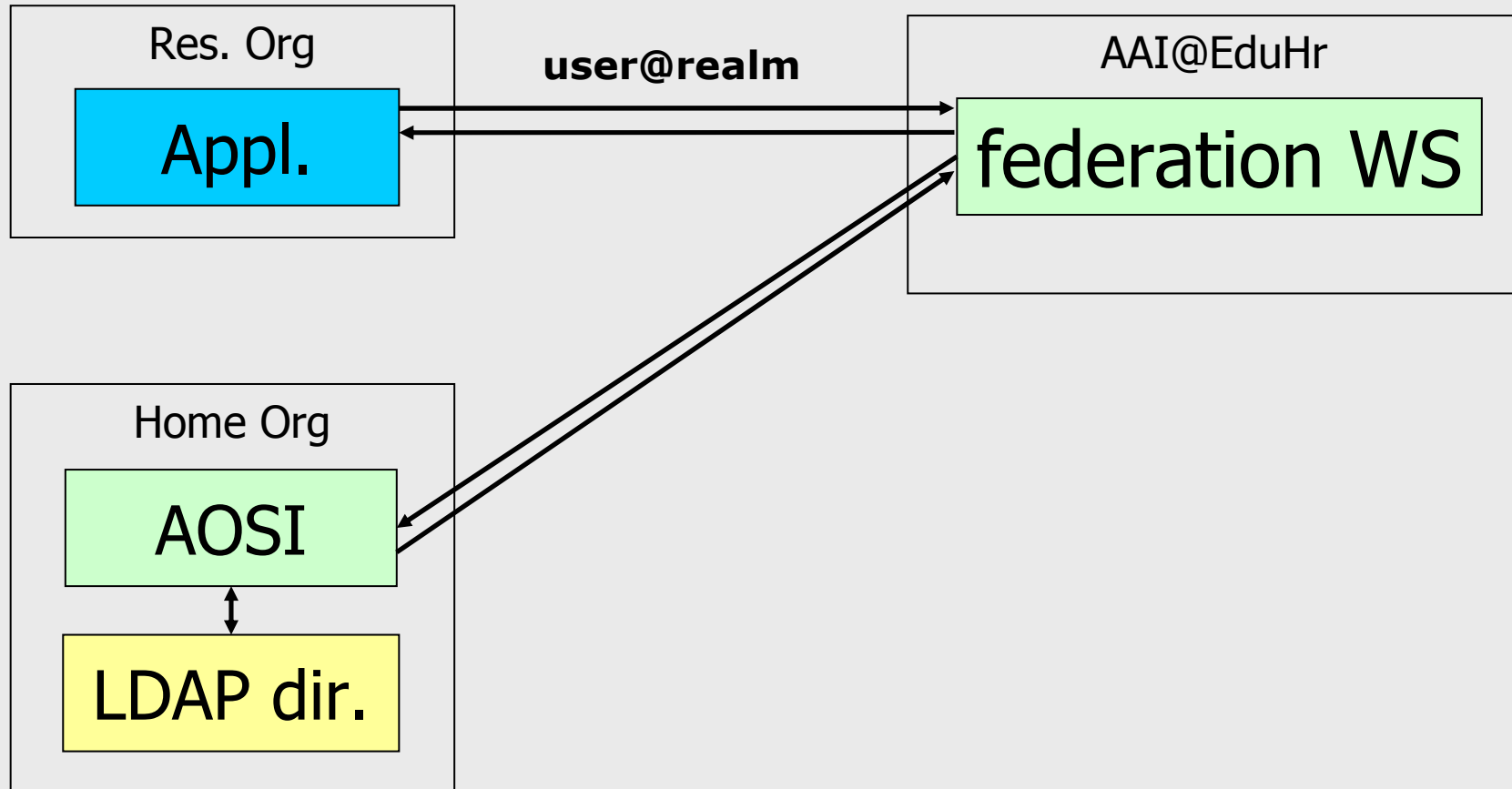
Data format

```
<ldap>  
  <entry dn="uid=utest,dc=srce,dc=hr">  
    <attribute ldapname="sn">  
      <multivalue>  
        <value>UTest</value>  
        <value>UTest 2</value>  
      </multivalue>  
    </attribute>  
    <attribute ldapname="uid">  
      <singlevalue>utest</singlevalue>  
    </attribute>  
  </entry>  
</ldap>
```

AOSI system



AOSI system





AAI@EduHr

<http://www.aaiedu.hr/>

team@aaiedu.hr