

# *AAI@EduHr – an update*

Miroslav Milinović  
University Computing Centre – Srce  
Zagreb, Croatia  
<*miro@srce.hr*>

*TF-EMC2 meeting  
Umea, July 2008*



# Numbers, organisation, ...

- ❖ in numbers:
  - ◆ 219 +1 +1 IdP
  - ◆ > 530 000 user identities
  - ◆ roughly 70 SPs (20 + 31 eduroam + 20 in pilot phase)
  - ◆ around 4.200.000 authN reqs per month (4.000.000 via RADIUS infrastructure)
- ❖ new Policy document:
  - ◆ more formal approach
  - ◆ internal organisation:
    - members (IdP + SP(optional)) & partners (SP only; not from “core community”)
    - AAI@EduHr board
    - AAI@EduHr council
    - Srce == coordinator/operator
  - ◆ international aspect covered

# Applications, support, ...

## ❖ main apps:

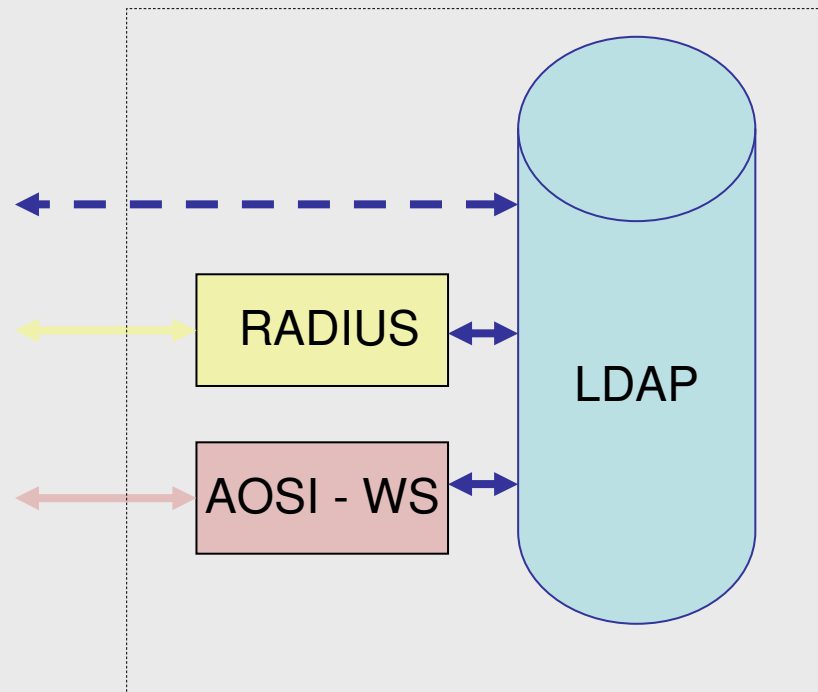
- ◆ network access
- ◆ e-learning (moodle)
- ◆ colaboration tools (wiki, CMS, forums, TTS, ...)
- ◆ simple web apps
- ◆ ...

## ❖ central support includes:

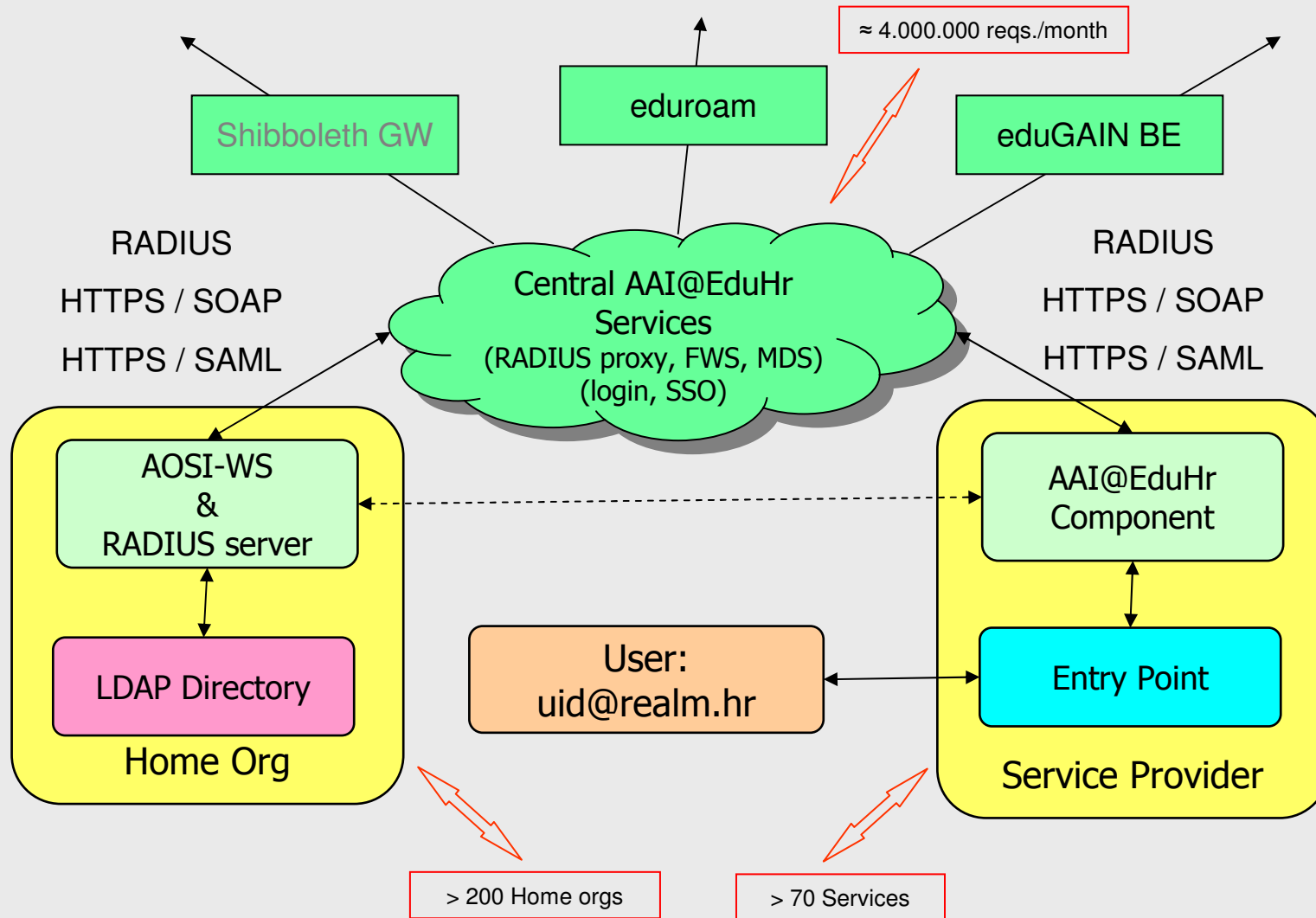
- ◆ providing support/generic solutions for IdPs & SPs
- ◆ debian software packages for IdPs and SPs
- ◆ public monitoring and statistics

# Technology

- ❖ used protocols:  
were: RADIUS + LDAP + SOAP  
now: RADIUS + SOAP/SAML
- ❖ an alternative view:  
single IdP (central login)  
with multiple authN points
- ❖ enhancing AOSI-WS:  
added plugin feature, allows  
synchronisation with other systems



# AAI@EduHr



# Ongoing/future work

- ❖ strengthen organisational aspect
- ❖ certification for IdPs and SPs
- ❖ improve trust model
- ❖ enhance technology/architecture
  - ♦ SAML usage
  - ♦ (u)SSO
- ❖ con-federate (eduGAIN+...) & harmonize (SCHAC, ...)
- ❖ hosting services for IdPs
- ❖ (AAI@EduHr/SAML/eduGAIN-)enabling applications
  
- ❖ investigate/research:
  - ♦ multiple attribute authorities
  - ♦ around OpenID concept



<http://www.aaiedu.hr/>

team@aaiedu.hr